

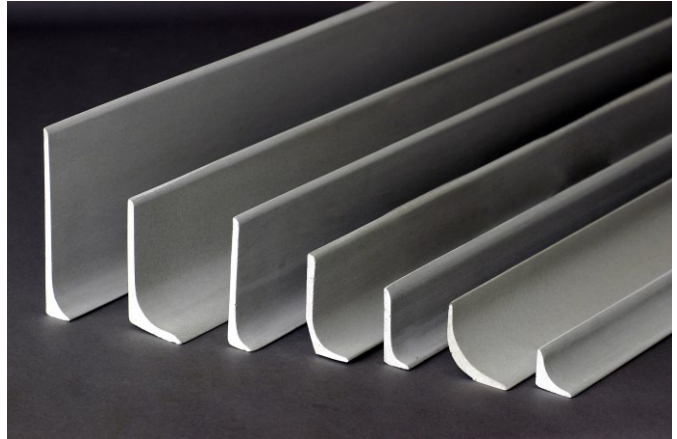
## TECHNICAL INFORMATION:

## POLYPROFIL®

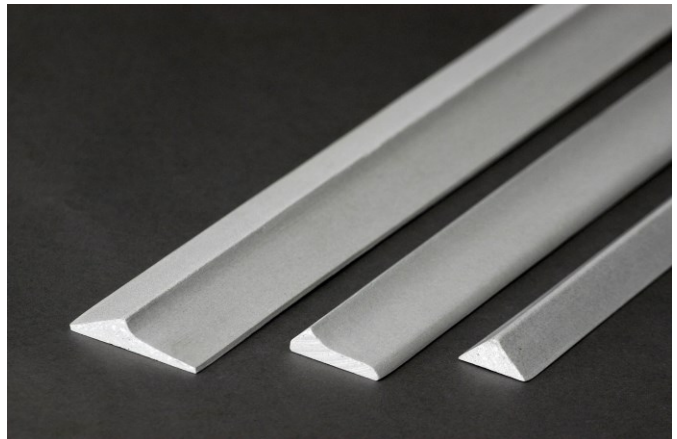
Properties:	<b>POLYPROFIL®</b> -Profiles are produced from high quality polymer mortar, of excellent strength and light weight. <b>POLYPROFIL®</b> -Profiles are cast in moulds, they are for painting with epoxy, polyurethane or acrylic coatings if required.	
Installation:	<b>POLYPROFIL®</b> -Profiles can be easily cut to any size by using either a small saw or, preferably, an angle grinder fitted with a diamond blade. <b>POLYPROFIL®</b> -Profiles should be fixed on dry, clean surface free of dust, oil or grease. Epoxy based adhesive is recommended for bonding of skirting profiles on floor, polyurethane adhesives are suitable for flexible wall gluing. Drip profiles can be glued with 1 comp. polyurethane- or MS-glue.  <b>POLYPROFIL®-Skirting Profiles</b> are designed to allow an easy installation of flexible or rigid seal between wall and floor coatings. Typical examples for use are in kitchens, laboratories, hospitals, chemical and pharmaceutical areas.  <b>POLYPROFIL®-Drip Profiles</b> are fixed to the underside of exposed areas to collect rain water or any other liquids in a controlled runoff manner. <b>POLYPROFIL®-Drip Profiles</b> prevent the long term build up of moisture in exposed areas especially in concrete and plaster. Typical uses are on the underside of balconies, terraces and awnings.  <b>POLYPROFIL®-Stair Profiles</b> are ideal for fixing to the edges and corners of stairs that have become worn. We only recommend thixotrope epoxy glue for installation.	
Storage:	<b>POLYPROFIL®</b> -Profiles should be stored horizontally in a dry area.	
Dimension:	<b>POLYPROFIL®-Skirting 3/3:</b>	approx. 27 x 30 mm
	<b>POLYPROFIL®-Skirting 3/7:</b>	approx. 30 x 70 mm
	<b>POLYPROFIL®-Skirting 5/5:</b>	approx. 50 x 50 mm
	<b>POLYPROFIL®-Skirting 5/10:</b>	approx. 50 x 100 mm
	<b>POLYPROFIL®-Skirting 4/15:</b>	approx. 40 x 150 mm
	<b>POLYPROFIL®-Skirting 2.5/5:</b>	approx. 25 x 50 mm
	<b>POLYPROFIL®-Skirting 2.5/10:</b>	approx. 25 x 100 mm
	<b>POLYPROFIL®-Skirting 2.5/15:</b>	approx. 25 x 150 mm
	<b>POLYPROFIL®-Drip Profile T 20:</b>	approx. 30 x 13 mm
	<b>POLYPROFIL®-Drip Profile T 30:</b>	approx. 29 x 12 mm
	<b>POLYPROFIL®-Drip Profile S 40:</b>	approx. 40 x 10 mm
	<b>POLYPROFIL®-Drip Profile T 60:</b>	approx. 60 x 13 mm
	<b>POLYPROFIL®-Stair Profile TK 4/2 – B:</b>	approx. 40 x 20 mm
Length:	<b>POLYPROFIL®-Skirting</b>	1.000 mm
	<b>POLYPROFIL®-Drip Profile</b>	1.000 mm
	<b>POLYPROFIL®-Stair Profile</b>	1.200 mm
	other length upon request	

TECHNICAL INFORMATION:

**POLYPROFIL® - Skirting**



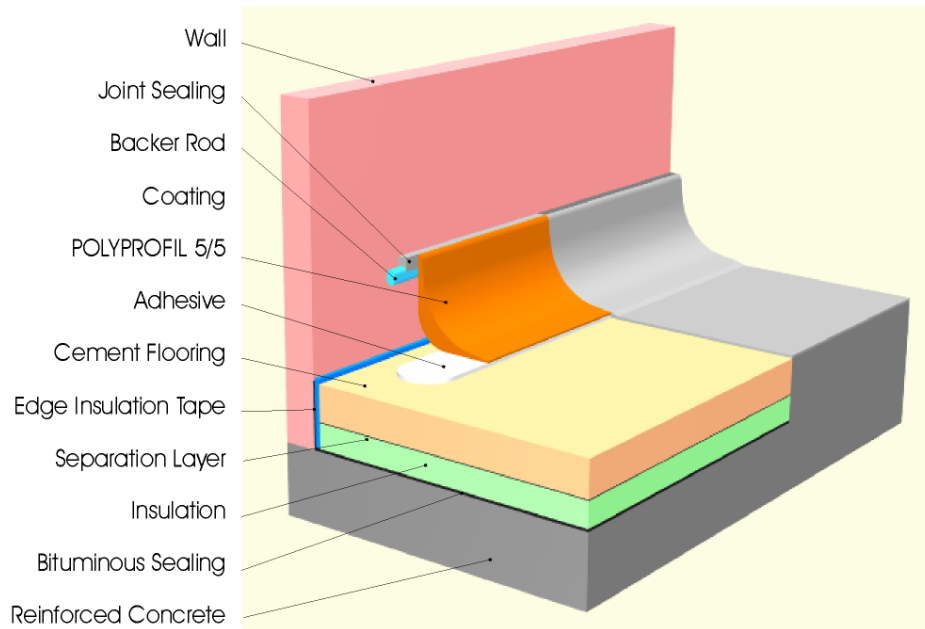
**POLYPROFIL® - Drip Profile**



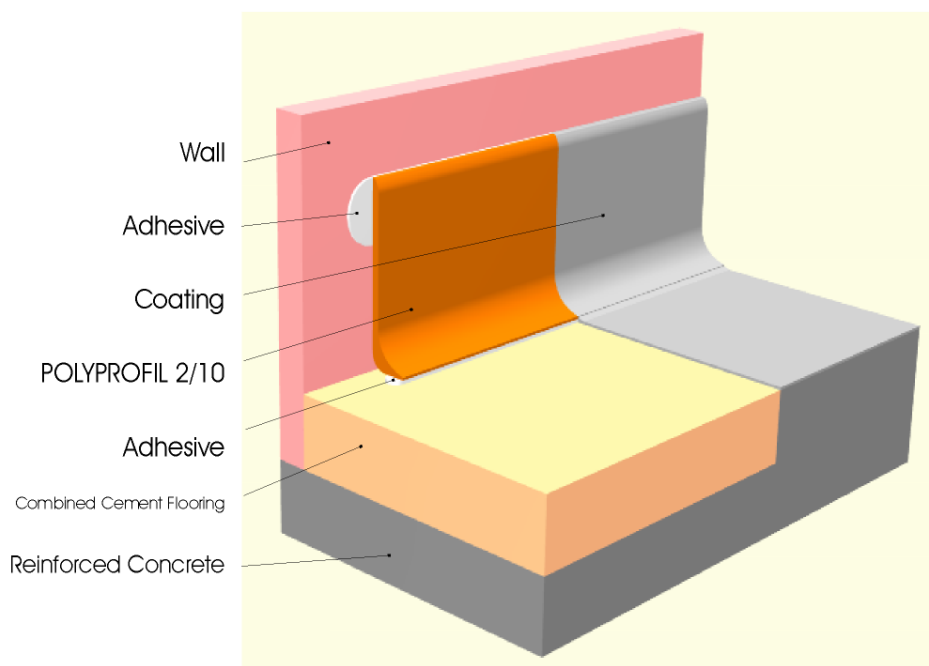
**POLYPROFIL® - Stair Profile**



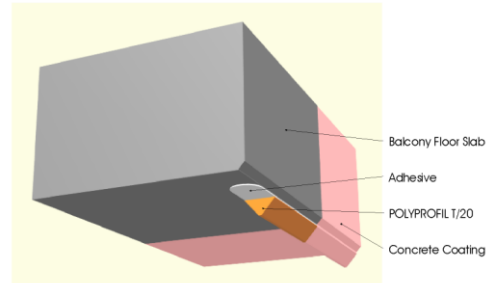
## POLYPROFIL®-Hollow Groove Skirting 5/5 on swimming cement flooring



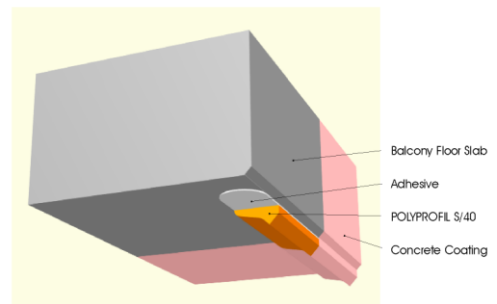
## POLYPROFIL®-Hollow Groove Skirting 2.5/10 on combined cement flooring



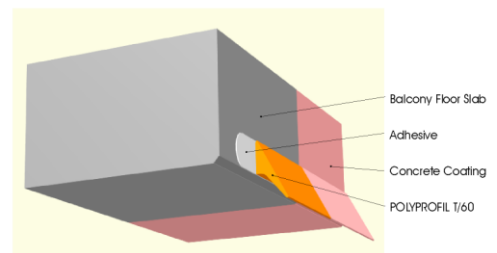
## POLYPROFIL®- Drip Control Profile T/20



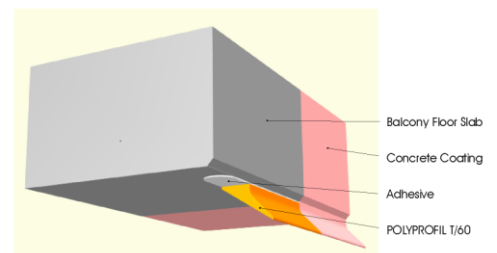
## POLYPROFIL®- Drip Control Profile S/40



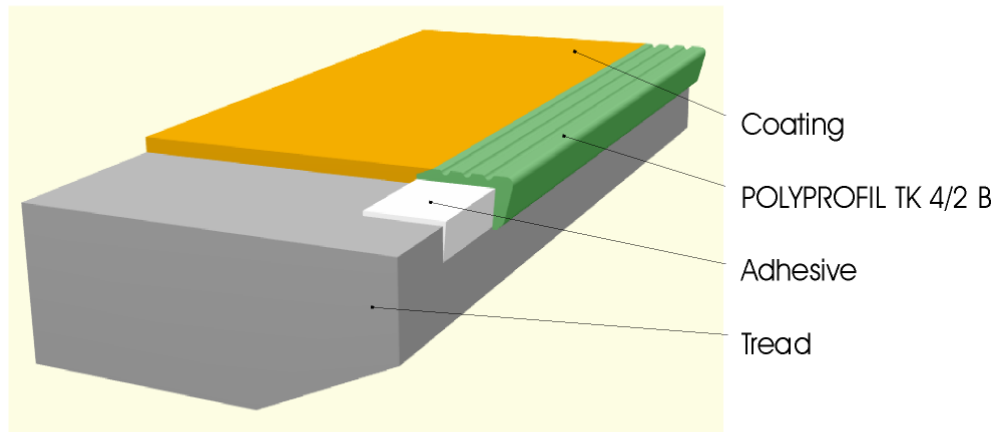
## POLYPROFIL®- Drip Control Profile T/60



## POLYPROFIL®- Drip Control Profile T/60



## POLYPROFIL®-Stair Edge Profile TK 4/2 B



## POLYPROFIL®- Stair Edge Profile TK 6/2 S

